



**CELECT®**

CELLULAR COMPOSITE SIDING



# PRODUCT DIRECTORY

Celect® Cellular Composite Siding

## **PRODUCT OFFERING CATALOG**

Celect is inspired by the gorgeous aesthetics of wood yet possesses none of wood's far-from-perfect maintenance demands. This is the very best of both worlds—where you get the look, touch and timelessness of real wood without its inconveniences and expenses.

Forget about mold, mildew, deterioration, scrubbing and messy maintenance crews. While you're at it, forget about the painting, repainting, caulking, re-caulking and delaminating that fiber cement is famous for. Finally, to top it off, we've used the most fade resistant paint system in the industry so that Celect delivers virtually maintenance-free beauty that never quits. Year after year, decade after decade.

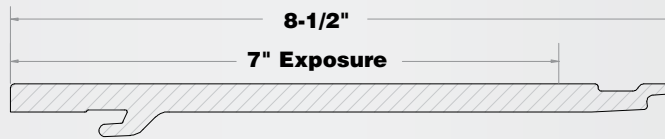
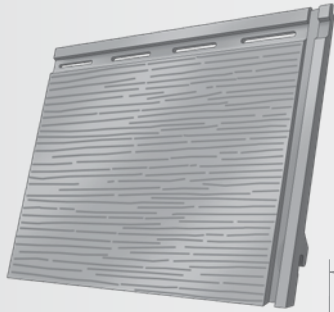
- 1. Siding**
- 3. Trim**
- 6. Mouldings**
- 9. Blocks & Mounts**
- 11. Accessories**
- 12. Frequently Asked Questions**
- 15. Cleaning & Maintenance**

Celect® Cellular Composite Siding

# SIDING

## 7" HORIZONTAL LAP SIDING

PRODUCT CODE: CEL7  
 PROFILE NUMBER: 7800



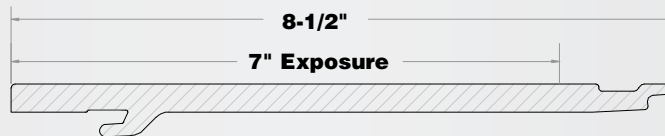
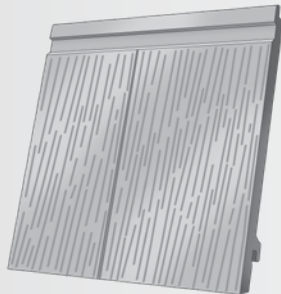
LENGTH .....	12' 4"
SQ./CTN .....	1
PCS/CTN .....	14
WT/CTN .....	104 LBS
SQS/PALLET .....	16
WT/PALLET .....	1,950 LBS

### AVAILABLE COLORS

- Castle Stone . . . . .CST
- Chestnut . . . . . CHT
- Coastline . . . . . COA
- Deep Pewter . . . . .DPT
- Frost . . . . . FST
- Grove . . . . . GRV
- Imperial Red . . . . .IMR
- Latte . . . . . LAT
- Oceana . . . . . OCE
- Pine Brook . . . . . PBK
- River Rock . . . . . RRK
- Shale . . . . .SHL
- Timberland . . . . . TBR
- Willow . . . . .WLW
- Wrought Iron . . . . . WRI
- Canvas . . . . .NPT

## 7" SHAKE SIDING

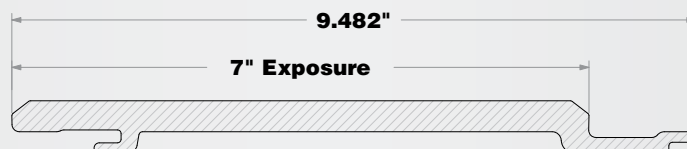
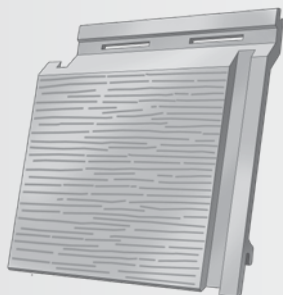
PRODUCT CODE: CELSHK7  
 PROFILE NUMBER: 9729



LENGTH .....	49.5"
SQ./CTN .....	1/2
PCS/CTN (1/2 SQ) .....	21
WT/CTN .....	55 LBS
SQS/PALLET .....	6
WT/PALLET .....	1,450 LBS

## 8" V-GROOVE SIDING (COMING SOON)

PRODUCT CODE: CELVG  
 PROFILE NUMBER: 9893



LENGTH .....	12' 6"
SQ./CTN .....	1
PCS/CTN .....	12
WEIGHT/CTN .....	140 LBS
SQS/PALLET .....	16
WT/PALLET .....	2,360 LBS

Celect® Cellular Composite Siding

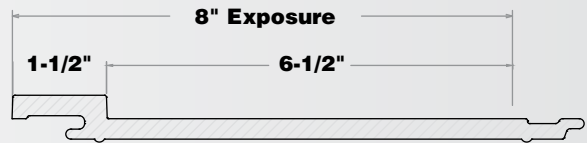
# SIDING

**AVAILABLE COLORS**

- Castle Stone . . . . .CST
- Chestnut . . . . . CHT
- Coastline . . . . . COA
- Deep Pewter . . . . .DPT
- Frost . . . . . FST
- Grove . . . . . GRV
- Imperial Red . . . . .IMR
- Latte . . . . . LAT
- Oceana . . . . . OCE
- Pine Brook . . . . . PBK
- River Rock . . . . . RRK
- Shale . . . . .SHL
- Timberland . . . . . TBR
- Willow . . . . .WLW
- Wrought Iron . . . . . WRI
- Canvas . . . . .NPT

## 8" BOARD & BATTEN SIDING

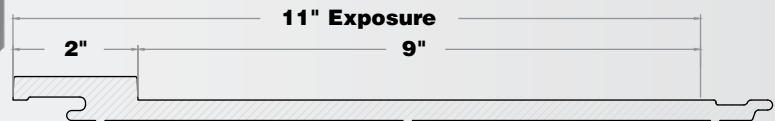
PRODUCT CODE: CELBB8  
 PROFILE NUMBER: 9722



LENGTH	10'
SQ./CTN	1
PCS/CTN	15
WT/CTN	100 LBS
SQS/PALLET	12
WT/PALLET	1,400 LBS

## 11" BOARD & BATTEN SIDING

PRODUCT CODE: CELBB11  
 PROFILE NUMBER: 9983

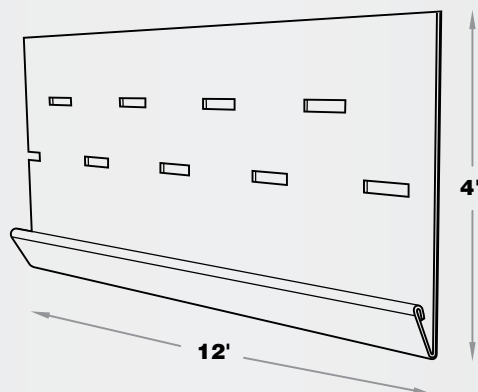


LENGTH	10'
SQ./CTN	1
PCS/CTN (1/2 SQ)	11
WT/CTN	102 LBS
SQS/PALLET	12
WT/PALLET	1,424 LBS

## STARTER STRIP

PRODUCT CODE: CELSS01

LENGTH	12'
PCS/CTN	24
WT/CTN	30 LBS



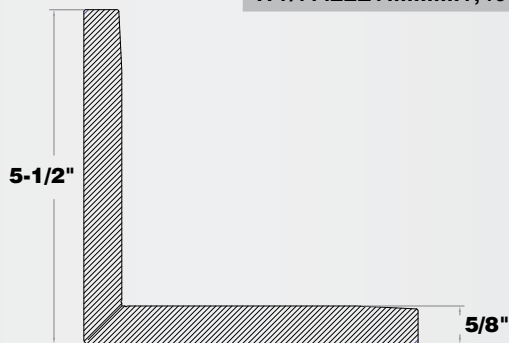
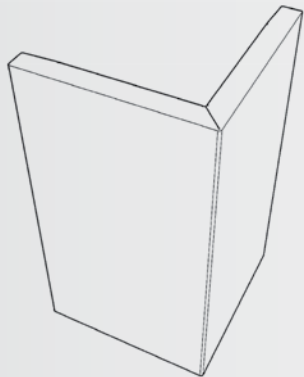
# TRIM

## 10' OUTSIDE CORNER POST KIT

PRODUCT CODE: COC1PSTD10KIT

PROFILE NUMBER: 9713

*Includes four (4) 9' 3" Furring Strips*



LENGTH .....	10'
PCS/BUNDLE .....	2
WT/BUNDLE .....	40 LBS
BUNDLES/PALLET .....	25
WT/PALLET .....	1,400 LBS

### AVAILABLE COLORS

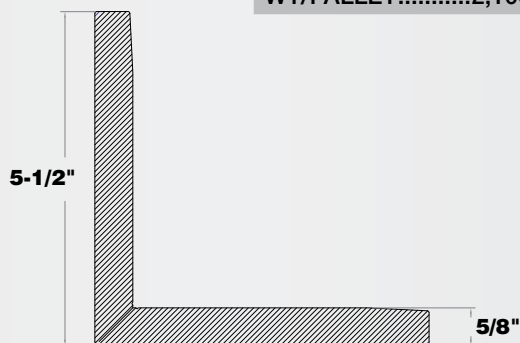
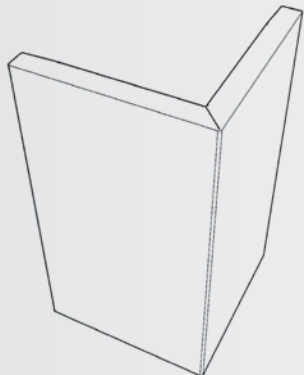
- Castle Stone . . . . .CST
- Chestnut . . . . . CHT
- Coastline . . . . . COA
- Deep Pewter . . . . .DPT
- Frost . . . . . FST
- Grove . . . . . GRV
- Imperial Red . . . . .IMR
- Latte . . . . . LAT
- Oceana . . . . . OCE
- Pine Brook . . . . . PBK
- River Rock . . . . . RRK
- Shale . . . . .SHL
- Timberland . . . . . TBR
- Willow . . . . . WLW
- Wrought Iron . . . . . WRI
- Canvas . . . . .NPT

## 20' OUTSIDE CORNER POST KIT

PRODUCT CODE: COC1PSTD20KIT

PROFILE NUMBER: 9713

*Includes eight (8) 9' 3" Furring Strips*

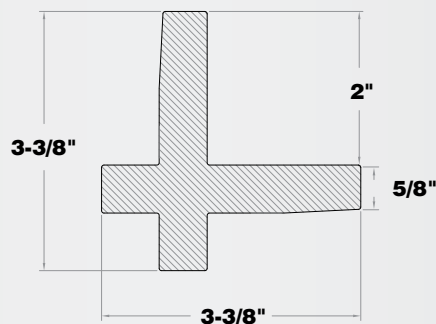
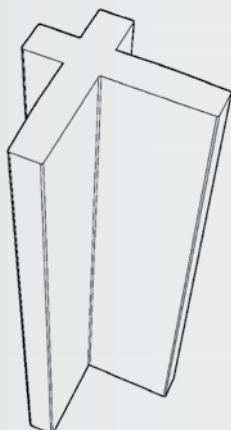


LENGTH .....	20'
PCS/BUNDLE .....	2
WT/BUNDLE .....	80 LBS
BUNDLES/PALLET .....	25
WT/PALLET .....	2,100 LBS

## 10' INSIDE CORNER POST

PRODUCT CODE: CIC1PSTD10

PROFILE NUMBER: 9712



LENGTH .....	10'
PCS/BUNDLE .....	2
WT/BUNDLE .....	20 LBS
BUNDLES/PALLET .....	28

# Celect® Cellular Composite Siding

## TRIM

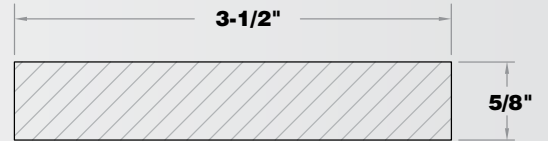
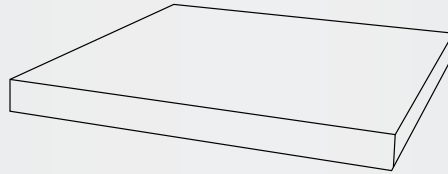
### AVAILABLE COLORS

- Castle Stone . . . . .CST
- Chestnut . . . . . CHT
- Coastline . . . . . COA
- Deep Pewter . . . . .DPT
- Frost . . . . . FST
- Grove . . . . . GRV
- Imperial Red . . . . .IMR
- Latte . . . . . LAT
- Oceana . . . . . OCE
- Pine Brook . . . . . PBK
- River Rock . . . . . RRK
- Shale . . . . . SHL
- Timberland . . . . . TBR
- Willow . . . . . WLW
- Wrought Iron . . . . . WRI
- Canvas . . . . . NPT

### 5/8" X 4" TRIMBOARD

PRODUCT CODE: CELS4S58416

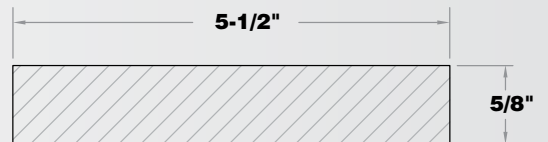
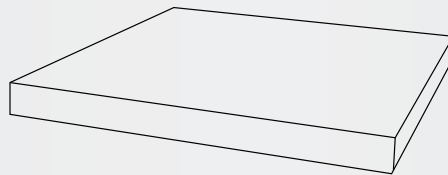
LENGTH .....16'  
 PCS/BUNDLE .....2  
 WT/BUNDLE .....16 LBS  
 BUNDLES/PALLET .....120



### 5/8" X 6" TRIMBOARD

PRODUCT CODE: CELS4S58616

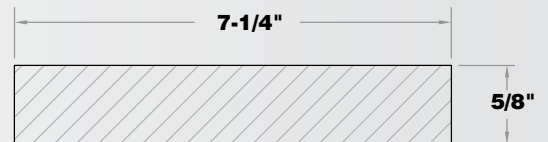
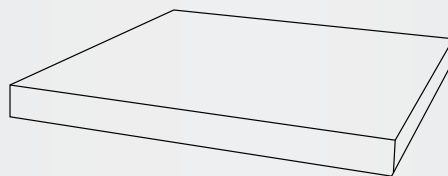
LENGTH .....16'  
 PCS/BUNDLE .....2  
 WT/BUNDLE .....27 LBS  
 BUNDLES/PALLET .....80



### 5/8" X 8" TRIMBOARD

PRODUCT CODE: CELS4S58816

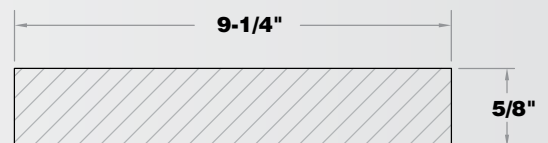
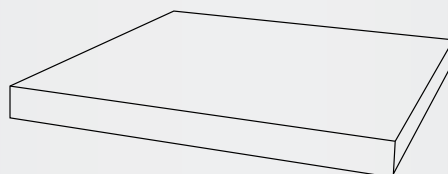
LENGTH .....16'  
 PCS/BUNDLE .....2  
 WT/BUNDLE .....36 LBS  
 BUNDLES/PALLET .....60



### 5/8" X 10" TRIMBOARD

PRODUCT CODE: CELS4S581016

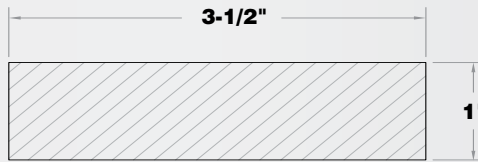
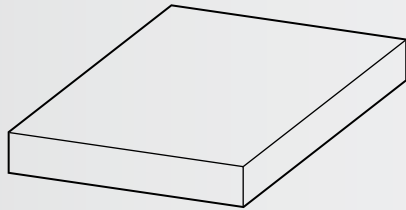
LENGTH .....16'  
 PCS/BUNDLE .....2  
 WT/BUNDLE .....46 LBS  
 BUNDLES/PALLET .....40



# TRIM

## 5/4" X 4" TRIMBOARD

PRODUCT CODE: CELS4S54416



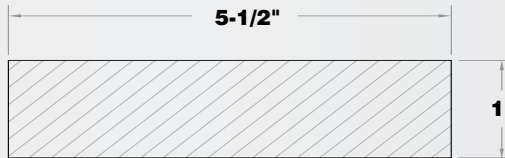
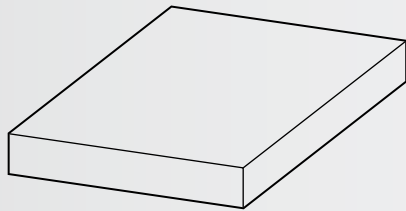
LENGTH .....16'  
 PCS/BUNDLE .....2  
 WT/BUNDLE .....28 LBS  
 BUNDLES/PALLET .....66

### AVAILABLE COLORS

- Castle Stone . . . . .CST
- Chestnut . . . . . CHT
- Coastline . . . . . COA
- Deep Pewter . . . . .DPT
- Frost . . . . . FST
- Grove . . . . . GRV
- Imperial Red . . . . .IMR
- Latte . . . . . LAT
- Oceana . . . . . OCE
- Pine Brook . . . . . PBK
- River Rock . . . . . RRK
- Shale . . . . . SHL
- Timberland . . . . . TBR
- Willow . . . . . WLW
- Wrought Iron . . . . . WRI
- Canvas . . . . . NPT

## 5/4" X 6" TRIMBOARD

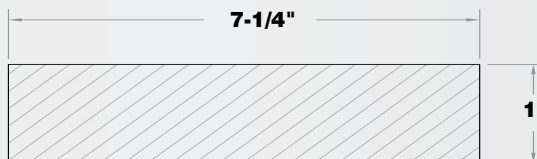
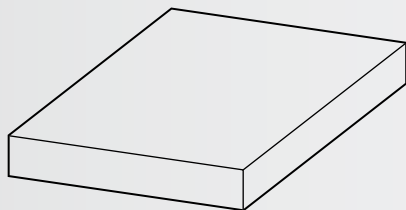
PRODUCT CODE: CELS4S54616



LENGTH .....16'  
 PCS/BUNDLE .....2  
 WT/BUNDLE .....44 LBS  
 BUNDLES/PALLET .....40

## 5/4" X 8" TRIMBOARD

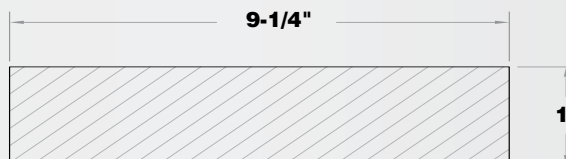
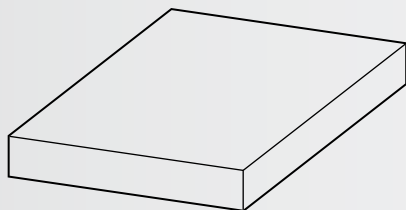
PRODUCT CODE: CELS4S54816



LENGTH .....16'  
 PCS/BUNDLE .....2  
 WT/BUNDLE .....57 LBS  
 BUNDLES/PALLET .....30

## 5/4" X 10" TRIMBOARD

PRODUCT CODE: CELS4S541016



LENGTH .....16'  
 PCS/BUNDLE .....2  
 WT/BUNDLE .....73 LBS  
 BUNDLES/PALLET .....24

# Celect® Cellular Composite Siding

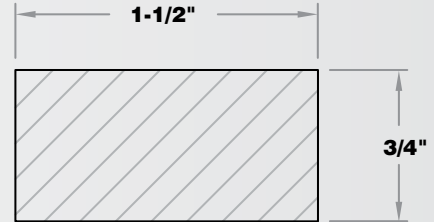
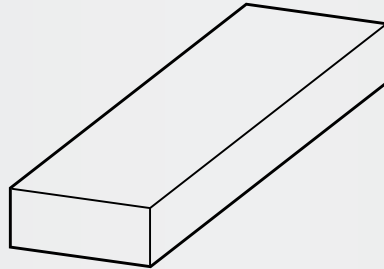
## TRIM

### AVAILABLE COLORS

- Castle Stone . . . . .CST
- Frost . . . . .FST
- Latte . . . . .LAT
- Shale . . . . .SHL
- Willow . . . . .WLW
- Wrought Iron . . . . .WRI
- Canvas . . . . .NPT

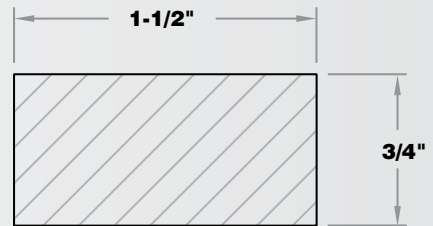
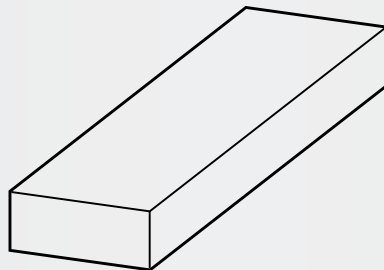
**1" X 2" TRIMBOARD**  
 PRODUCT CODE: CELS4S1216

LENGTH .....16'  
 PCS/BUNDLE .....2  
 WT/BUNDLE .....9 LBS  
 BUNDLES/PALLET .....210



**UNPAINTED FURRING STRIP**  
**1" X 2"**  
 PRODUCT CODE: CELS4S1216UNP

LENGTH .....16'  
 PCS/BUNDLE .....2  
 WT/BUNDLE .....9 LBS  
 BUNDLES/PALLET .....210



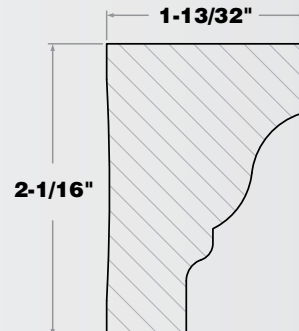
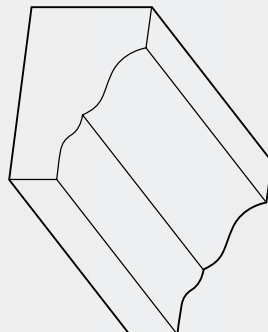
## MOULDINGS

### AVAILABLE COLORS

- Castle Stone . . . . .CST
- Frost . . . . .FST
- Latte . . . . .LAT
- Shale . . . . .SHL
- Willow . . . . .WLW
- Wrought Iron . . . . .WRI
- Canvas . . . . .NPT

**RAMS CROWN**  
 PRODUCT CODE: CELRMSCRN16-2  
 PROFILE NUMBER: 7158

LENGTH .....16'  
 PCS/BUNDLE .....2  
 WT/BUNDLE .....15.5 LBS  
 BUNDLES/PALLET .....60





# MOULDINGS

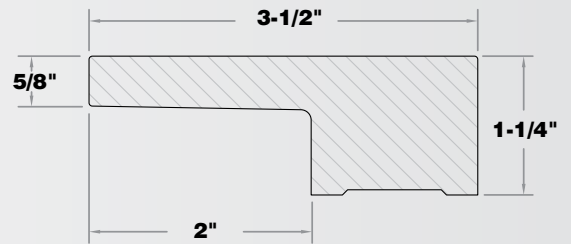
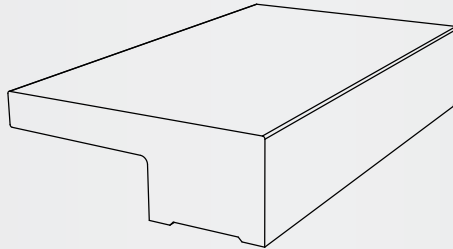
## AVAILABLE COLORS

- Castle Stone . . . . .CST
- Chestnut . . . . . CHT
- Coastline . . . . . COA
- Deep Pewter . . . . .DPT
- Frost . . . . . FST
- Grove . . . . . GRV
- Imperial Red . . . . .IMR
- Latte . . . . . LAT
- Oceana . . . . . OCE
- Pine Brook . . . . . PBK
- River Rock . . . . . RRK
- Shale . . . . . SHL
- Timberland . . . . . TBR
- Willow . . . . . WLW
- Wrought Iron . . . . . WRI
- Canvas . . . . . NPT

## NEW! WINDOW & DOOR TRIM

PRODUCT CODE: CELWINT16  
 PROFILE NUMBER: 3177

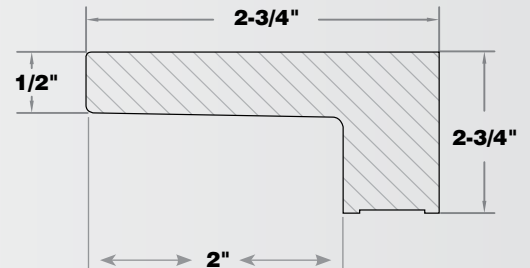
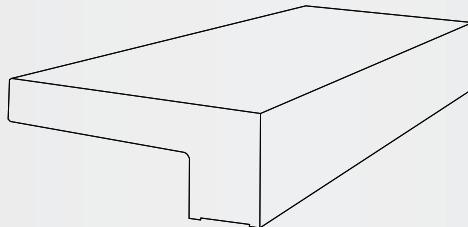
LENGTH .....16'  
 PCS/BUNDLE .....2  
 WT/BUNDLE .....20 LBS  
 BUNDLES/PALLET .....58



## OLD WINDOW & DOOR TRIM

PRODUCT CODE: CELWNTR  
 PROFILE NUMBER: 9821

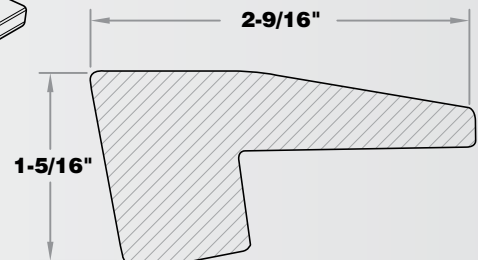
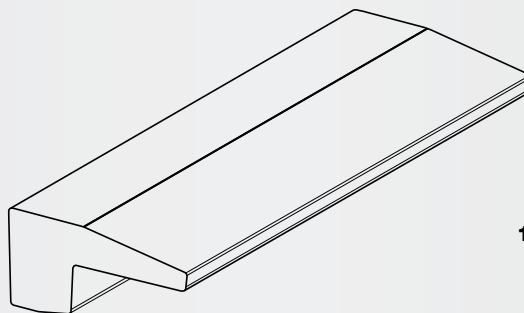
LENGTH .....16'  
 PCS/BUNDLE .....2  
 WT/BUNDLE .....21 LBS  
 BUNDLES/PALLET .....50



## GABLE TRIM

PRODUCT CODE: CELGT16  
 PROFILE NUMBER: 9790

LENGTH .....16'  
 PCS/BUNDLE .....2  
 WT/BUNDLE .....14 LBS  
 BUNDLES/PALLET .....71



# MOULDINGS

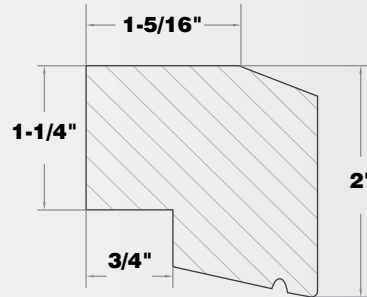
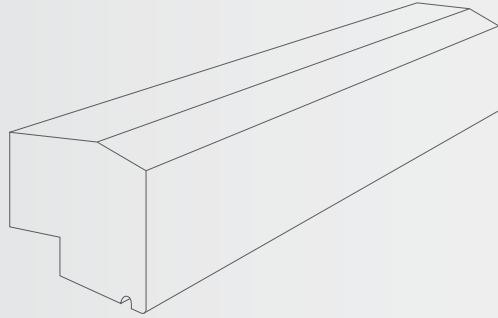
## SILL NOSE 2" X 2"

PRODUCT CODE: CELSILL16  
 PROFILE NUMBER: 9822

LENGTH .....16'  
 PCS/BUNDLE .....2  
 WT/BUNDLE .....21 LBS  
 BUNDLES/PALLET .....50

### AVAILABLE COLORS

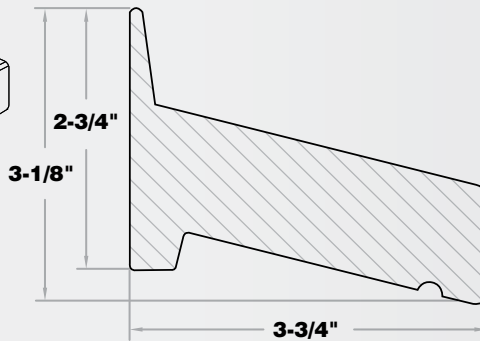
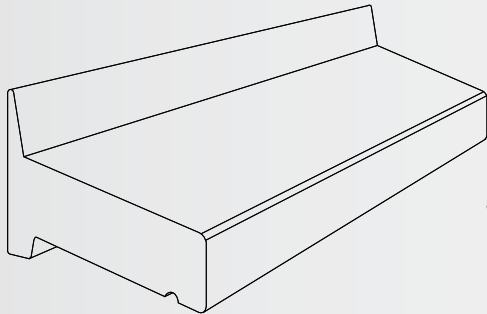
- Castle Stone .....CST
- Frost .....FST
- Latte .....LAT
- Shale .....SHL
- Willow .....WLW
- Wrought Iron ..... WRI
- Canvas .....NPT



## STONE WATER TABLE

PRODUCT CODE: CELSTWT  
 PROFILE NUMBER: 9719

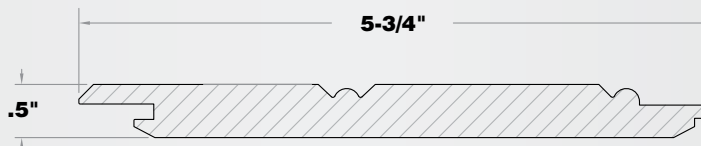
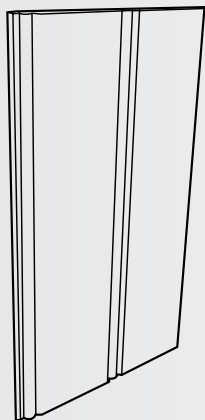
LENGTH .....16'  
 PCS/BUNDLE .....2  
 WT/BUNDLE .....36 LBS  
 BUNDLES/PALLET .....72



## BEAD BOARD

PRODUCT CODE: CELBDBD16-2  
 PROFILE NUMBER: 9734

LENGTH .....16'  
 PCS/BUNDLE .....2  
 WT/BUNDLE .....22 LBS  
 BUNDLES/PALLET .....72



Celect® Cellular Composite Siding

# BLOCKS & MOUNTS

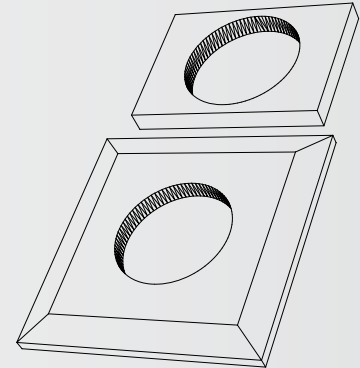
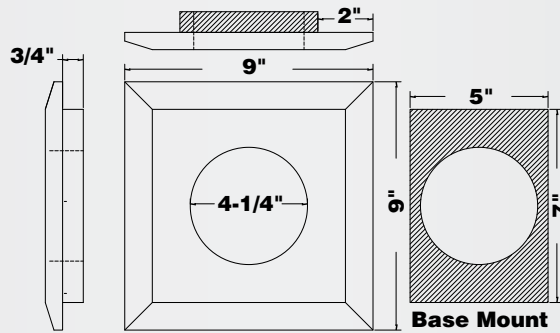
**AVAILABLE COLORS**

- Castle Stone . . . . .CST
- Chestnut . . . . . CHT
- Coastline . . . . . COA
- Deep Pewter . . . . .DPT
- Frost . . . . . FST
- Grove . . . . . GRV
- Imperial Red . . . . .IMR
- Latte . . . . . LAT
- Oceana . . . . . OCE
- Pine Brook . . . . . PBK
- River Rock . . . . . RRK
- Shale . . . . . SHL
- Timberland . . . . . TBR
- Willow . . . . . WLW
- Wrought Iron . . . . . WRI
- Canvas . . . . . NPT

## VENT/LIGHT MOUNT 9" x 9"

1 PER BAG

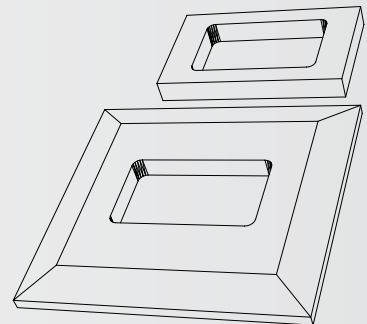
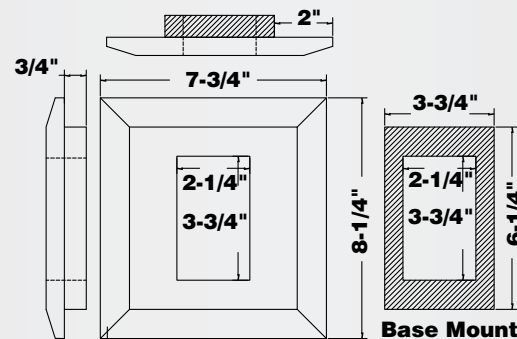
PRODUCT CODE: CELBDV



## ELECTRICAL MOUNT 8-1/4" x 7-3/4"

1 PER BAG

PRODUCT CODE: CELELM



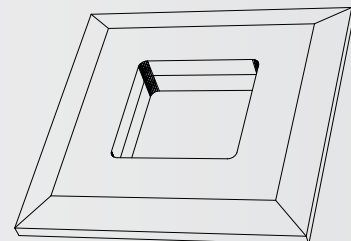
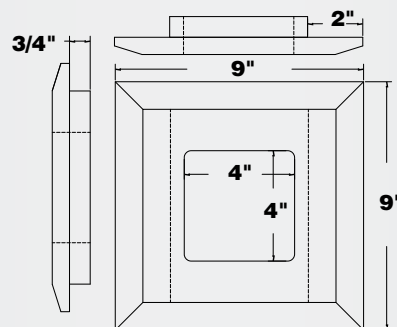
**AVAILABLE COLORS**

- Frost . . . . . FST
- Canvas . . . . . NPT

## RECESSED MOUNT 9" x 9"

1 PER BAG

PRODUCT CODE: CELRCMU



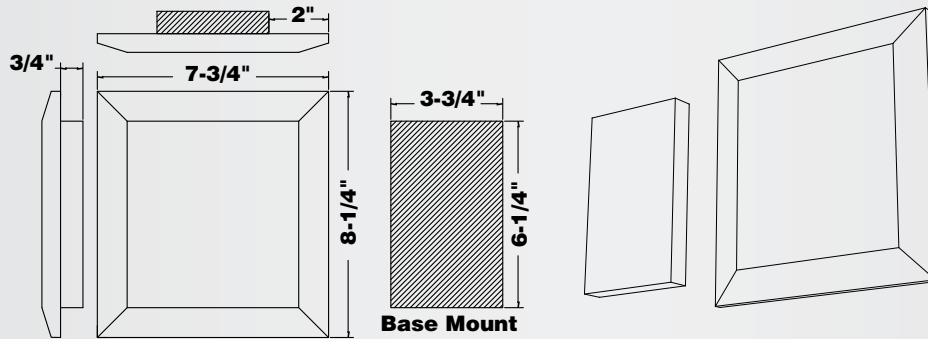
Celect® Cellular Composite Siding

# BLOCKS & MOUNTS

## UNIVERSAL MOUNT 8-1/4" x 7-3/4"

1 PER BAG

PRODUCT CODE: CELSTM



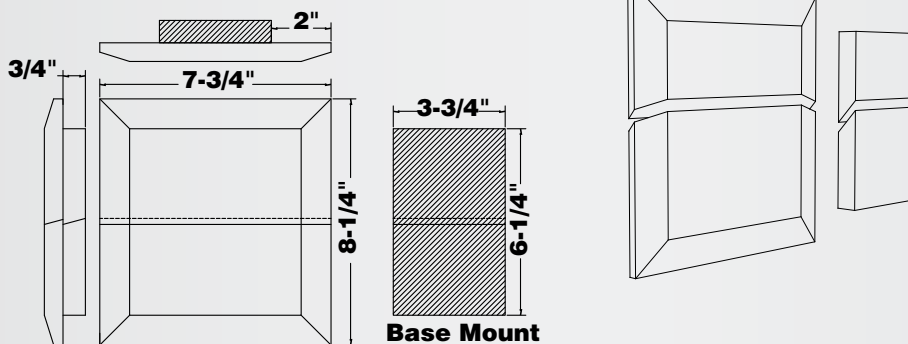
### AVAILABLE COLORS

- Castle Stone . . . . .CST
- Chestnut . . . . . CHT
- Coastline . . . . . COA
- Deep Pewter . . . . .DPT
- Frost . . . . . FST
- Grove . . . . . GRV
- Imperial Red . . . . .IMR
- Latte . . . . . LAT
- Oceana . . . . . OCE
- Pine Brook . . . . . PBK
- River Rock . . . . . RRK
- Shale . . . . .SHL
- Timberland . . . . . TBR
- Willow . . . . .WLW
- Wrought Iron . . . . . WRI
- Canvas . . . . .NPT

## SPLIT MOUNT 8-1/4" x 7-3/4"

1 PER BAG

PRODUCT CODE: CELSPM



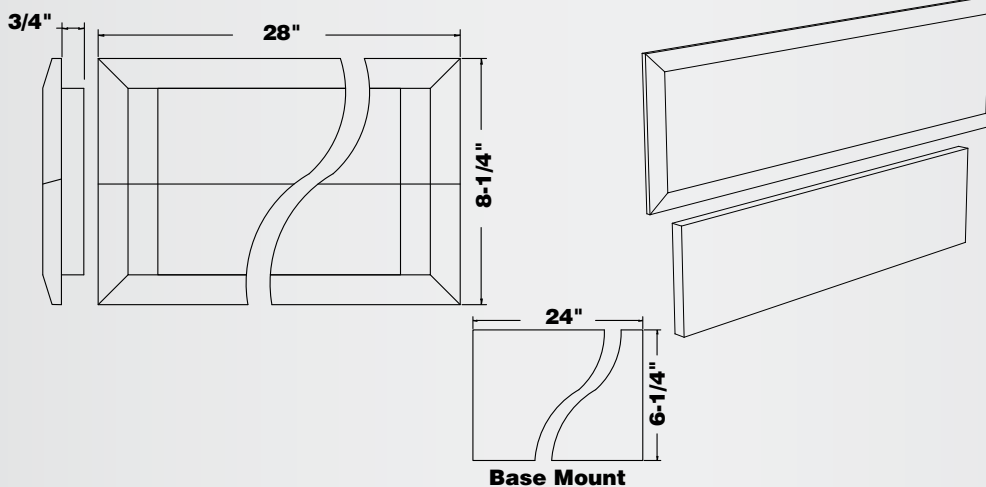
## GANG BLOCK 28" x 8-1/4"

1 PER BAG

PRODUCT CODE: CELGGB

### AVAILABLE COLORS

- Frost . . . . . FST
- Canvas . . . . .NPT



Elect® Cellular Composite Siding

# ACCESSORIES

**AVAILABLE COLORS**

- Castle Stone . . . . .CST
- Chestnut . . . . . CHT
- Coastline . . . . . COA
- Deep Pewter . . . . .DPT
- Frost . . . . .FST
- Grove . . . . . GRV
- Imperial Red . . . . .IMR
- Latte . . . . . LAT
- Oceana . . . . . OCE
- Pine Brook . . . . . PBK
- River Rock . . . . . RRK
- Shale . . . . .SHL
- Timberland . . . . . TBR
- Willow . . . . .WLW
- Wrought Iron . . . . . WRI

## TOUCH-UP BOTTLE

PRODUCT CODE: CELTUBOTTLE

SOLD INDIVIDUALLY



## KYNAR AQUATEC CELECT PAINT

PRODUCT CODE: CELQ

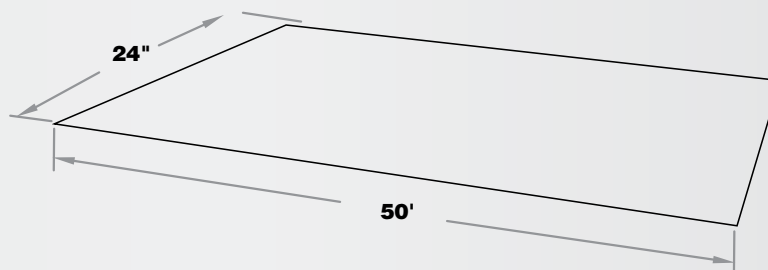
1 QUART



## ALUMINUM COIL 50' X 24" ROLL

PRODUCT CODE: CLCOIL50STD

GAUGE..... .021"



## FREQUENTLY ASKED QUESTIONS

1. What is Celect siding and is it a new product?

- Celect was introduced in 2011. Celect is an innovative, low maintenance product engineered to have the curb appeal of wood, with minimal maintenance Celect is made of cellular PVC. Cellular PVC absorbs virtually no water.
- Celect is finished with a Kynar paint system for ultra low fade performance. It is covered by a 25 year warranty. Go compare that to a fiber cement fade warranty and be impressed.
- Celect has patented interlocking joints and a gravity lock design. With Celect, you can create a virtually seamless, cohesive look without the need for caulk.

2. Is it true that the Celect siding and trim system do not require caulk?

- That is correct, unlike other sidings, the Celect siding system, both siding and trim, are designed in a way that they do not require caulk—saving significant maintenance time and cost.
- Celect is a ventilated cladding system, that allows air behind the cladding to allow moisture in the wall to dry—keeping your walls healthy.

3. Can I caulk around Celect?

- We do not recommend or require the use of caulk.
- There may be some instances where it is desired, like around window and door trim, but should be used in moderation, and never around expansion gaps (pockets or tops of corners), where the space is needed for the material to move with temperature changes (expansion and contraction).

4. What if I want a custom color?

- Celect Canvas is the unpainted version of our innovative Celect product that gives you the ability to select your color.
- Painting with a good quality, acrylic latex, vinyl safe paint will protect the product to maintain color consistency for many years. There are several paint manufacturers that will warranty their coating products on cellular PVC See our Guide to Prefinish Celect Canvas. Our warranty does not cover painted finishes or coating applied to the product by the original purchaser or any third party.

5. Can I paint over the existing coating?

- The beauty of Celect is that due to its Kynar finish you will not need to repaint your home. We offer touch up paint made from the same paint as the original coating for any nicks or scratches that you may wish to touch up. Painting over the existing coating is not recommended because doing so will void the paint warranty.

6. Can I wash Celect Siding? Celect Trim?

- A garden hose and a clean soft cotton cloth will allow you to clean difficult spots without scratching the finish in most cases.
- Mild detergents can be used, examples include: Dawn™ and Murphy's Oil Soap™. We suggest using a standard spray bottle, followed by washing with a garden hose.
- Please see page 15 for additional cleaning information and maintenance.

## FREQUENTLY ASKED QUESTIONS

### INSTALLATION

7. What fasteners are recommended for Celect trim?

- Celect Cortex or Pro-plug screws and plugs are recommended to secure finished Celect trim pieces and create a hidden look.
- If other trim fasteners are used, they must be fasteners intended for exterior use with PVC trim, such as stainless steel or hot dipped galvanize.
- See the installation handbook for details of suitable fasteners, as well as a full list of information and instructions.
- For “padding out” trim, fasteners should be long enough to penetrate the solid wood substrate a minimum of 1-1/2".
- The Celect Installation Handbook has a full list of information and instructions.

9. Will the trim plugs have the same coating as the trim & siding?

- Yes, Celect plugs will, other plugs will not.

10. Can I use rabbeted 5/4" PVC trim boards produced by other manufacturers for trim with Celect siding?

- No, we do not recommend this. In many cases, other manufacturer’s pocketed trim and corners are not sufficiently deep for long courses of Celect siding.
- Our Celect trim products are specifically designed to work with Celect siding, providing proper pocket depths for all installations.
- Our Celect corners are tapered at the “front edge” of the pocket to avoid rubbing the paint as the siding expands and contracts.

11. Can I use other PVC trim for window surrounds and corners?

- Celect trim is specifically designed to work with the Celect siding system, and ensures that the proper pockets exist.
- Other trim may or may not work, depending on the specific product.

12. How much does the siding and trim expand and contract?

- All materials move, and so does PVC. With that in mind, we have designed the Celect siding and trim system to manage expected expansion and contraction.
- Expansion/contraction is driven by length and temperature of product. Illustration below is 100°F change in panel temperature (not air temp).
  - Siding Panels are not, and must not be, hard nailed.
  - Remember to only center pin each course of siding, not each panel.
    - 12' panel will move – 7/16" total (7/32" per end)
    - 36' run will move – 1-1/4" total (7/8" per end)
    - 60' run will move – 2" total (1" per end)
  - Trimboards are a bit different since they are hard nailed/screwed. This constrains the expansion and contraction to about 1/2 of the amount of unconstrained boards.
  - Consult the installation handbook for trim installation details and managing expansion and contraction.

## FREQUENTLY ASKED QUESTIONS

13. What is the definition of “center pin” when referring to a long run of siding?

- A center pin is the center of the siding course (not a panel).
- Using a center pin fixes the center of each course of siding and ensures the movement of the course will be distributed to both “pockets” of the trim.

14. What fasteners are recommended for Celect siding?

- Regular hot dipped galvanized or stainless roofing nails are recommended for most installations of Celect siding.
- Do not use staples, small brads, rick shanks, or wire nails.
- Fastening recommendations (type and spacings) can be found in our product certification and evaluation reports.

15. Can I use pressure treated furring strips?

- PVC furring strips are recommended, and available.
- Pressure treated wood is not recommended because it does not make wood water resistant, only rot resistant.

16. Why aren't there pre-furred corners available?

- Celect's two-step process allows the installer to determine the distance between the panel and furring, which allows them to work around issues while ensuring a beautiful finished look.

17. Can I install Celect siding over existing siding?

- You may be able to install Celect siding over existing siding. Any loose boards must be resecured.
- A flat surface is required for Celect siding; you may need to install furring strips (or wall leveling siding underlayment) to create a flat surface.

18. Is flashing and water resistive barrier required?

- We recommend the use of a water resistive barrier and proper flashing. Flashing and water resistive barriers are building code requirements, so please check your local code requirements.

19. Why do I need to pack-out my Window & Door trim with 3/4" Bump-outs?

- Even though most of the siding runs between windows are short, the runs that also go over or under the window are often very long—therefore a 2" pocket is required around all windows to accommodate the proper expansion and contraction of the siding
- 3/4" furring is the simplest way to create the 2" deep pocket required for the Celect panels.
- This process also allows you to put up the furring as you side the house. You can then make the window surround frames on the ground and simply screw them in once the siding is up.

20. Can I use Celect if my wall is exceptionally long, for example 70'?

- Yes, you can, by using a feature board. A feature board (also referred to as an expansion joint) should be used for siding courses longer than 60'. Please see our installation handbook for additional information.



## **CLEANING AND MAINTENANCE**

1. Always test a small area of the wall in an inconspicuous location first, prior to attempting to use any cleaning solution or method to ensure no damage occurs.
2. Use a clean soft cotton cloth when necessary, taking care to frequently replace the cloth to avoid scratching the coating finish.
  - For regular general washing mild detergents such as 1/32 diluted TSP (Tri Sodium Phosphate), Dawn™, Murphy's Oil Soap™, or vinegar and water are recommended.
  - For small spot cleaning it is acceptable to use Windex or isopropyl alcohol, but avoid scrubbing the same spot repeatedly as this could soften or damage the coating finish.
  - It is recommended to apply any acceptable cleaning solutions to the surface of the siding using a standard plump spray bottle, followed by rinsing the surface of the siding with a garden hose.
  - The finish on Celect is resistant to mildew however, should this occur, standard laundry bleach can be added to the cleaning solution at a ratio of 1 part bleach to 10 parts water (13 ounces per gallon).
  - Avoid using solvents such as nail polish remover, acetone, MEK, Butyl Carbitol, etc., as these chemicals will damage the coating finish.
  - Avoid using bleach or cleaners which contain bleach such as Clorox Cleanup, as these cleaners may permanently discolor the coating finish.
  - Avoid using any cleaners containing abrasives of any sort such as soft scrub, as these abrasives may scratch the coating finish.
  - Avoid using scrub brushes.
  - Avoid pressure washing the siding at high pressure as this may damage the siding and or coating finish.







# BE BOUNDLESS™

**THE PRODUCTS TO DO EVERYTHING. THE POWER TO DO EVEN MORE.**

We're answering "what ifs" on a whole new level—from the solutions we create to the dreams we build. We have the tools and technology to tell design stories on a bigger scale and on a more personal level. There are no limits to how far we innovate, how deeply we express, how strongly we commit and how boldly we go.

**Together let's Be Boundless™.**

